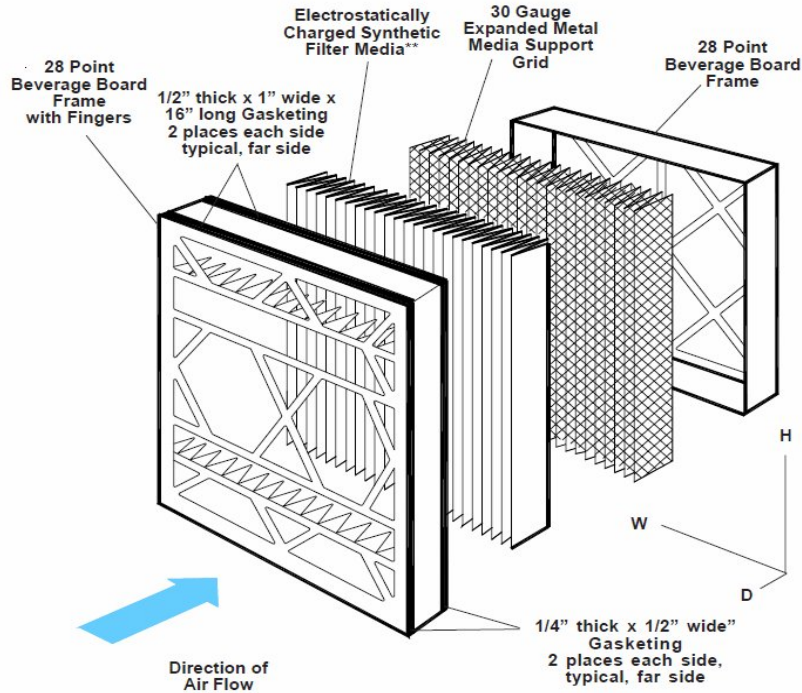


**MERV 11 White Rodgers
Furnace Filter
(QFI071)**



Performance Data - Space Baron "White Rodgers F825"* Series

Product Code	ASHRAE 52.2 - 1999				Initial Resistance "w.g."		Final Resistance "w.g."	
	MERV Value	E1 %	E2 %	E3 %	@ 836 cfm	@ 1032 cfm	@ 836 cfm	@ 1032 cfm
					16x26x5 MERV8	8	n/a	n/a
16x26x5 MERV11	11	n/a	n/a	n/a	0.1	-	.50	-
16x26x5 Odor	8	n/a	n/a	n/a	0.07	-	.50	-
20x26x5 MERV8	8	n/a	n/a	n/a	-	0.08	-	.50
20x26x5 MERV11	11	n/a	n/a	n/a	-	0.1	-	.50
20x26x5 Odor	8	n/a	n/a	n/a	-	0.07	-	.50

Description

Nominal Dimensions

Actual Frame Dimensions w/o Gasketing

White Rodgers MERV 8	16" x 26" x 5"	15.75" x 24.75" x 4.25"
White Rodgers MERV 8	20" x 26" x 5"	19.75" x 24.75" x 4.25"
White Rodgers MERV 11	16" x 26" x 5"	15.75" x 24.75" x 4.25"
White Rodgers MERV 11	20" x 26" x 5"	19.75" x 24.75" x 4.25"
White Rodgers MERV 8 Odor	16" x 26" x 5"	15.75" x 24.75" x 4.25"
White Rodgers MERV 8 Odor	20" x 26" x 5"	19.75" x 24.75" x 4.25"