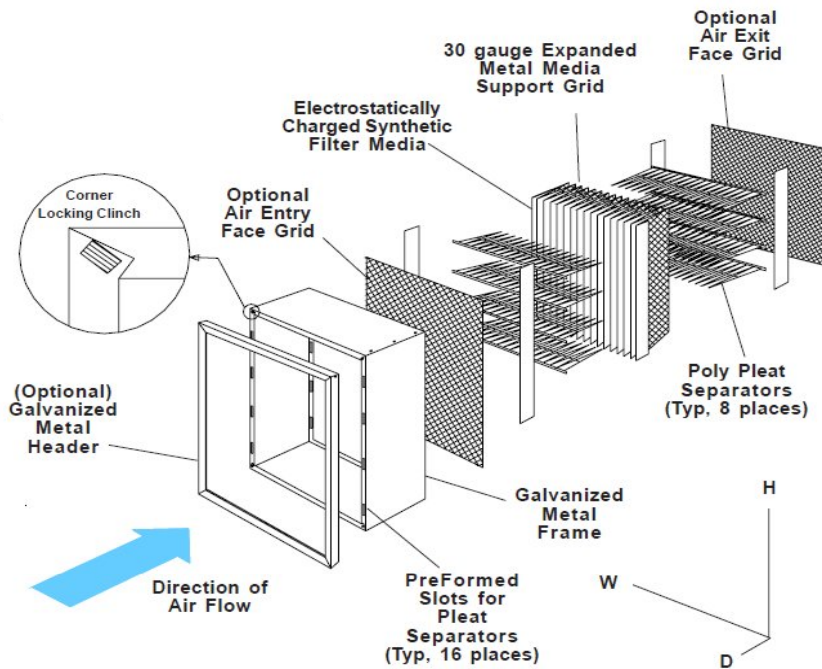


MERV 13 Quality Flow Deep Pleat Rigid Cell Furnace Filter (QFI096)



Performance Data - QualityFlow Cell

Product Code	ASHRAE 52.2 - 1999				Initial Resistance "w.g.	Final Resistance "w.g.
	MERV Value	E1 %	E2 %	E3 %	@ 492 fpm	@ 492 fpm
					MERV 13	13
MERV 14	14	77.5	94.8	99.4	0.266	1.400

Description	Nominal Dimensions	Actual Dimensions	Sq Feet Media
MERV 13	12" x 24" x 6"	11.375" x 23.375" x 5.5"	15
MERV 13	20" x 24" x 6"	19.375" x 23.375" x 5.5"	24
MERV 13	24" x 24" x 6"	23.375" x 23.375" x 5.5"	29
MERV 13	12" x 24" x 12"	11.375" x 23.375" x 11.5"	29
MERV 13	20" x 24" x 12"	19.375" x 23.375" x 11.5"	48
MERV 13	24" x 24" x 12"	23.375" x 23.375" x 11.5"	58
MERV 13 w/Header	12" x 24" x 6"	11.375" x 23.375" x 5.5"	13
MERV 13 w/Header	20" x 24" x 6"	19.375" x 23.375" x 5.5"	22
MERV 13 w/Header	24" x 24" x 6"	23.375" x 23.375" x 5.5"	27
MERV 13 w/Header	12" x 24" x 12"	11.375" x 23.375" x 11.5"	25
MERV 13 w/Header	20" x 24" x 12"	19.375" x 23.375" x 11.5"	44
MERV 13 w/Header	24" x 24" x 12"	23.375" x 23.375" x 11.5"	52
MERV 14	12" x 24" x 6"	11.375" x 23.375" x 5.5"	15
MERV 14	20" x 24" x 6"	19.375" x 23.375" x 5.5"	24
MERV 14	24" x 24" x 6"	23.375" x 23.375" x 5.5"	29
MERV 14	24" x 24" x 12"	11.375" x 23.375" x 11.5"	29
MERV 14	20" x 24" x 12"	19.375" x 23.375" x 11.5"	48
MERV 14	24" x 24" x 12"	23.375" x 23.375" x 11.5"	58
MERV 14 w/Header	12" x 24" x 6"	11.375" x 23.375" x 5.5"	13
MERV 14 w/Header	20" x 24" x 6"	19.375" x 23.375" x 5.5"	22
MERV 14 w/Header	24" x 24" x 6"	23.375" x 23.375" x 5.5"	27
MERV 14 w/Header	24" x 24" x 12"	11.375" x 23.375" x 11.5"	25
MERV 14 w/Header	20" x 24" x 12"	19.375" x 23.375" x 11.5"	44
MERV 14 w/Header	24" x 24" x 12"	23.375" x 23.375" x 11.5"	52