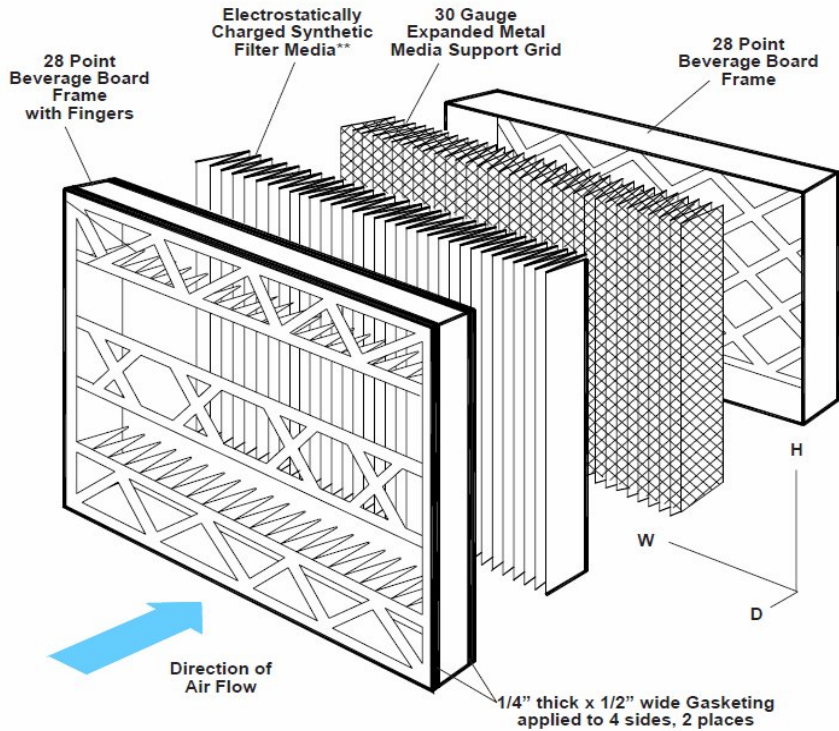


**MERV 8 Odor Ban General Filter
Furnace Filter
(QFI079)**



Performance Data - Space Baron General Filter "AC-1"

Product Code	ASHRAE 52.2 - 1999			Initial Resistance " w.g. @ 1032 cfm	Final Resistance " w.g. @ 1032 cfm	
	MERV Value	E1 %	E2 %			E3 %
20x24x5 MERV8	8	n/a	n/a	n/a	0.08	.50
20x24x5 MERV11	11	n/a	n/a	n/a	0.1	.50
20x24x5 Odor	8	n/a	n/a	n/a	0.07	.50

Description	Nominal Dimensions	Actual Frame Dimensions w/o Gasketing
General Filter MERV 8	20" x 24" x 5"	19.5" x 24" x 4.8"
General Filter MERV 11	20" x 24" x 5"	19.5" x 24" x 4.8"
General Filter MERV 8 Odor	20" x 24" x 5"	19.5" x 24" x 4.8"