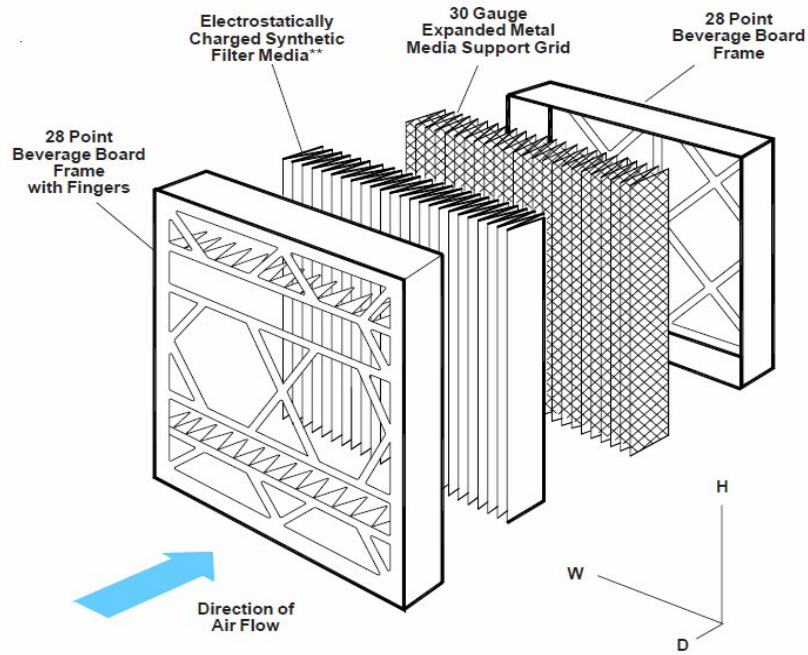


**MERV 8 Odor Ban Honeywell
Furnace Filter
(QFI076)**



Performance Data - Space Baron Honeywell FC100A Series*

Product Code	ASHRAE 52.2 - 1999				Initial Resistance "w.g.		Final Resistance "w.g.	
	MERV Value	E1 %	E2 %	E3 %	@ 1032 cfm	@ 836 cfm	@ 1032 cfm	@ 836 cfm
					16x25x5 MERV8	8	n/a	n/a
16x25x5 MERV11	11	n/a	n/a	n/a	-	0.1	-	.50
16x25x5 Odor Ban	8	n/a	n/a	n/a	-	0.07	-	.50
20x20x5 MERV8	8	n/a	n/a	n/a	-	0.08	-	.50
20x20x5 MERV11	11	n/a	n/a	n/a	-	0.1	-	.50
20x20x5 Odor Ban	8	n/a	n/a	n/a	-	0.07	-	.50
20x25x5 MERV8	8	n/a	n/a	n/a	0.08	-	.50	-
20x25x5 MERV11	11	n/a	n/a	n/a	0.1	-	.50	-
20x25x5 Odor Ban	8	n/a	n/a	n/a	0.07	-	.50	-

Description	Nominal Dimensions	Actual Frame Dimensions
Honeywell MERV 8	16" x 25" x 5"	15.875" x 24.75" x 4.25"
Honeywell MERV 8	20" x 20" x 5"	19.75" x 19.75" x 4.25"
Honeywell MERV 8	20" x 25" x 5"	19.75" x 24.75" x 4.25"
Honeywell MERV 11	16" x 25" x 5"	15.875" x 24.75" x 4.25"
Honeywell MERV 11	20" x 20" x 5"	19.75" x 19.75" x 4.25"
Honeywell MERV 11	20" x 25" x 5"	19.75" x 24.75" x 4.25"
Honeywell MERV 8 Odor	16" x 25" x 5"	15.875" x 24.75" x 4.25"
Honeywell MERV 8 Odor	20" x 20" x 5"	19.75" x 19.75" x 4.25"
Honeywell MERV 8 Odor	20" x 25" x 5"	19.75" x 24.75" x 4.25"