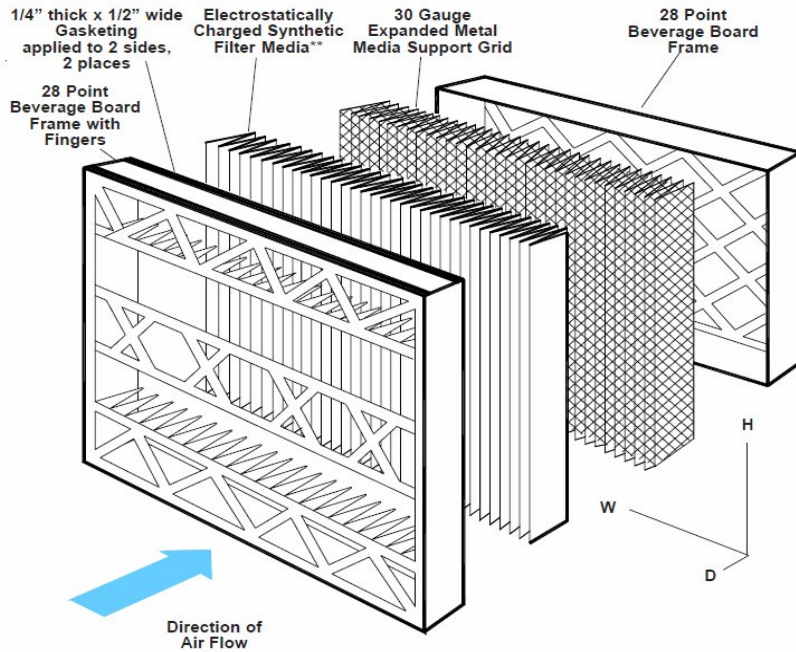


**MERV 8 Odor Ban Trion Air Bear Furnace Filter (QFI074)**



Performance Data - Space Baron Trion "Air Bear" & "Air Bear Cub"

Product Code	ASHRAE 52.2 - 1999				Initial Resistance "w.g."		Final Resistance "w.g."	
	MERV Value	E1 %	E2 %	E3 %	@ 1032 cfm	@ 836 cfm	@ 1032 cfm	@ 836 cfm
					Air Bear	8	n/a	n/a
Air Bear	11	n/a	n/a	n/a	0.1	-	.50	-
Air Bear Odor	8	n/a	n/a	n/a	0.07	-	.50	-
Air Bear Cub	8	n/a	n/a	n/a	-	0.08	-	.50
Air Bear Cub	11	n/a	n/a	n/a	-	0.1	-	.50
Air Bear Cub Odor	8	n/a	n/a	n/a	-	0.07	-	.50

Description	Nominal Dimensions	Actual Frame Dimensions w/o Gasketing
-------------	--------------------	---------------------------------------

Air Bear MERV 8	20" x 25" x 5"	19.5" x 24" x 4.8"
Air Bear MERV 8	20" x 20" x 5"	19.5" x 19.5" x 4.8"
Air Bear Cub MERV 8	16" x 25" x 3"	15.75" x 24.25" x 3"
Air Bear MERV 8	16" x 25" x 5"	15.75" x 24.25" x 4.8"
Air Bear MERV 11	20" x 25" x 5"	19.5" x 24" x 4.8"
Air Bear MERV 11	20" x 20" x 5"	19.5" x 19.5" x 4.8"
Air Bear Cub MERV 11	16" x 25" x 3"	15.75" x 24.25" x 3"
Air Bear MERV 11	16" x 25" x 5"	15.75" x 24.25" x 4.8"
Air Bear Odor Ban MERV 8	20" x 25" x 5"	19.5" x 24" x 4.8"
Air Bear Odor Ban MERV 8	20" x 20" x 5"	19.5" x 19.5" x 4.8"
Air Bear Cub Odor Ban MERV 8	16" x 25" x 3"	15.75" x 24.25" x 3"
Air Bear Odor Ban MERV 8	16" x 25" x 5"	15.75" x 24.25" x 4.8"