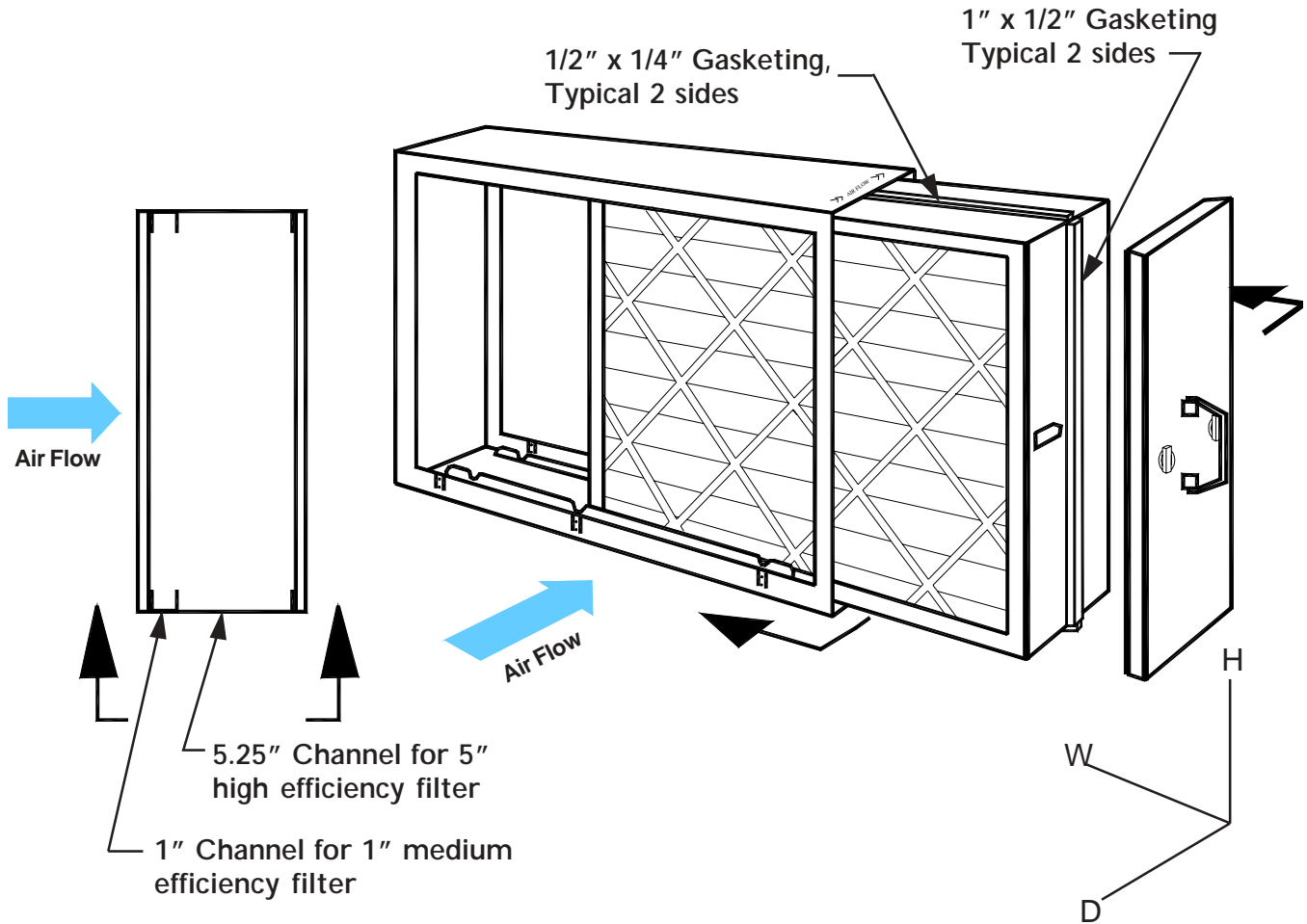


Installation & Gasketing Guidelines for " Perfect Fit" * Housing Case



The "Perfect Fit"* metal housing case in combination with Quality filters matched to your application results in a sturdy filter that is easy to install and requires no special handling.

Note: As part of our continuing program to improve the design and quality of all Quality Filters' products, we reserve the right to make changes without notice or obligation.

* Trade name and company name are used for identification purposes only.

P.F. Housing Installation
Issue Date: 12/20/07