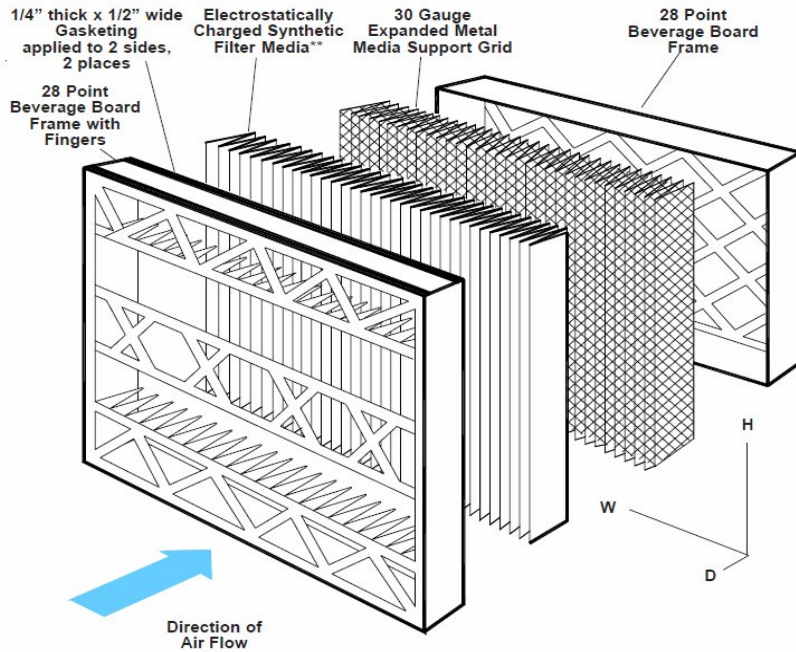


**MERV 8 Trion Air Bear Cub  
Furnace Filter  
(QFI061)**



Performance Data - Space Baron Trion "Air Bear" & "Air Bear Cub"

| Product Code      | ASHRAE 52.2 - 1999 |      |      |      | Initial Resistance "w.g." |           | Final Resistance "w.g." |           |
|-------------------|--------------------|------|------|------|---------------------------|-----------|-------------------------|-----------|
|                   | MERV Value         | E1 % | E2 % | E3 % | @ 1032 cfm                | @ 836 cfm | @ 1032 cfm              | @ 836 cfm |
|                   |                    |      |      |      | Air Bear                  | 8         | n/a                     | n/a       |
| Air Bear          | 11                 | n/a  | n/a  | n/a  | 0.1                       | -         | .50                     | -         |
| Air Bear Odor     | 8                  | n/a  | n/a  | n/a  | 0.07                      | -         | .50                     | -         |
| Air Bear Cub      | 8                  | n/a  | n/a  | n/a  | -                         | 0.08      | -                       | .50       |
| Air Bear Cub      | 11                 | n/a  | n/a  | n/a  | -                         | 0.1       | -                       | .50       |
| Air Bear Cub Odor | 8                  | n/a  | n/a  | n/a  | -                         | 0.07      | -                       | .50       |

| Description | Nominal Dimensions | Actual Frame Dimensions w/o Gasketing |
|-------------|--------------------|---------------------------------------|
|-------------|--------------------|---------------------------------------|

|                              |                |                        |
|------------------------------|----------------|------------------------|
| Air Bear MERV 8              | 20" x 25" x 5" | 19.5" x 24" x 4.8"     |
| Air Bear MERV 8              | 20" x 20" x 5" | 19.5" x 19.5" x 4.8"   |
| Air Bear Cub MERV 8          | 16" x 25" x 3" | 15.75" x 24.25" x 3"   |
| Air Bear MERV 8              | 16" x 25" x 5" | 15.75" x 24.25" x 4.8" |
| Air Bear MERV 11             | 20" x 25" x 5" | 19.5" x 24" x 4.8"     |
| Air Bear MERV 11             | 20" x 20" x 5" | 19.5" x 19.5" x 4.8"   |
| Air Bear Cub MERV 11         | 16" x 25" x 3" | 15.75" x 24.25" x 3"   |
| Air Bear MERV 11             | 16" x 25" x 5" | 15.75" x 24.25" x 4.8" |
| Air Bear Odor Ban MERV 8     | 20" x 25" x 5" | 19.5" x 24" x 4.8"     |
| Air Bear Odor Ban MERV 8     | 20" x 20" x 5" | 19.5" x 19.5" x 4.8"   |
| Air Bear Cub Odor Ban MERV 8 | 16" x 25" x 3" | 15.75" x 24.25" x 3"   |
| Air Bear Odor Ban MERV 8     | 16" x 25" x 5" | 15.75" x 24.25" x 4.8" |